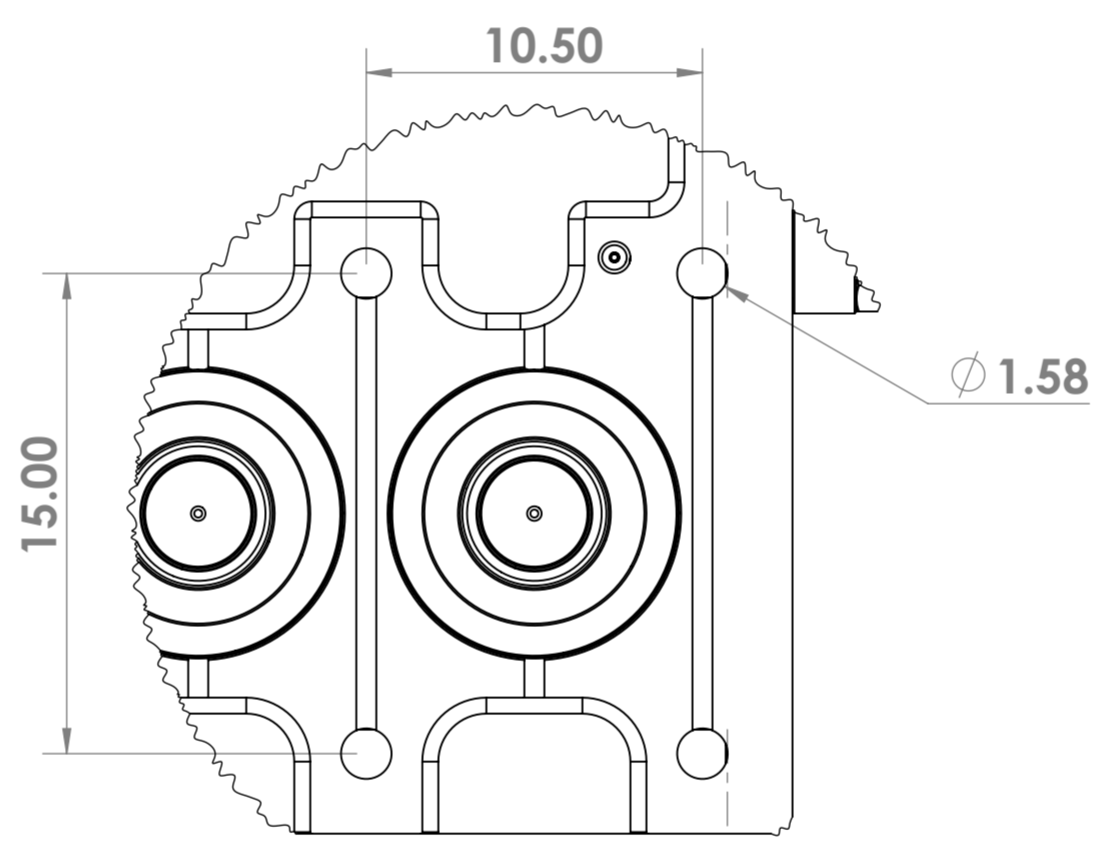
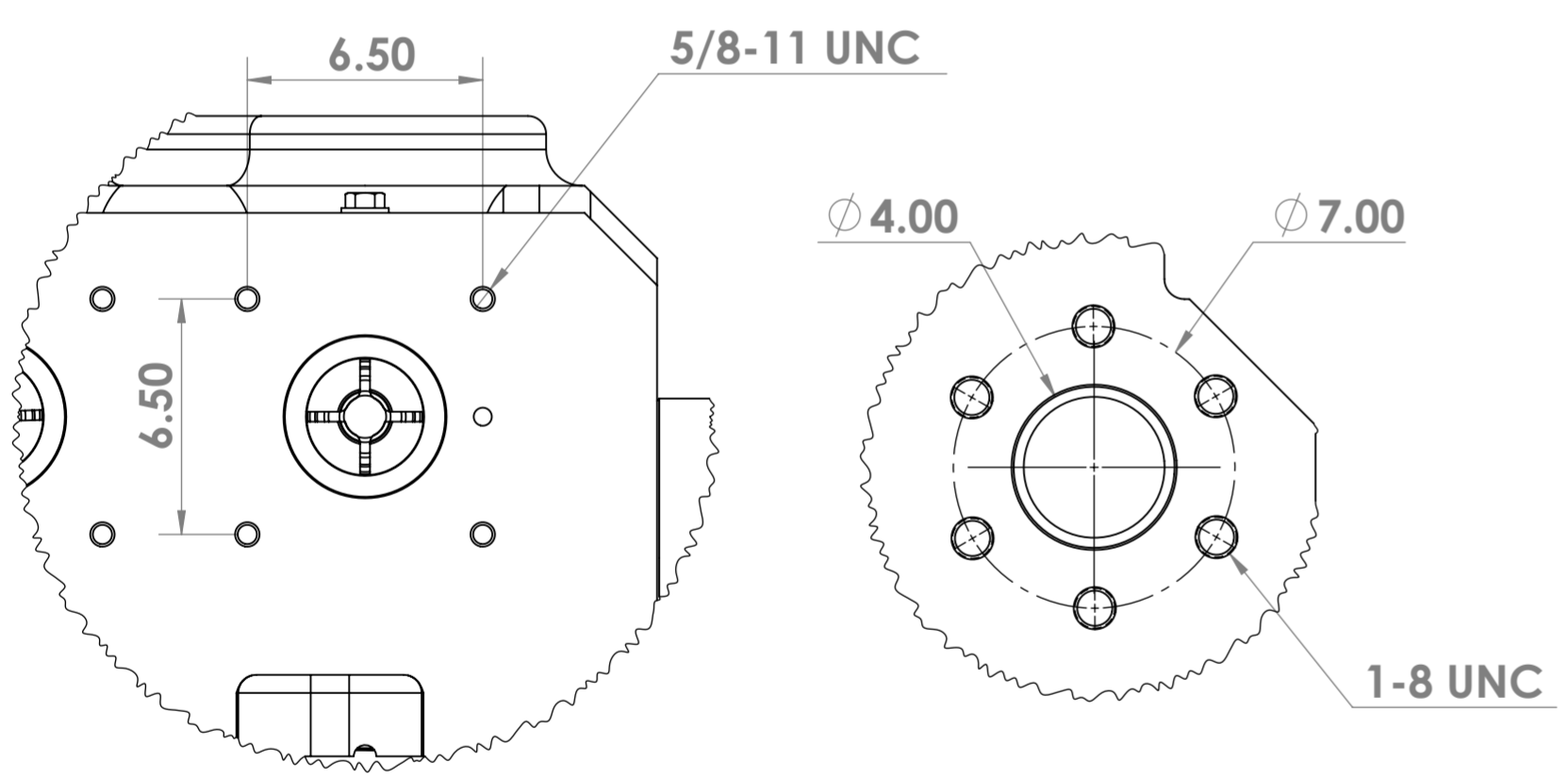
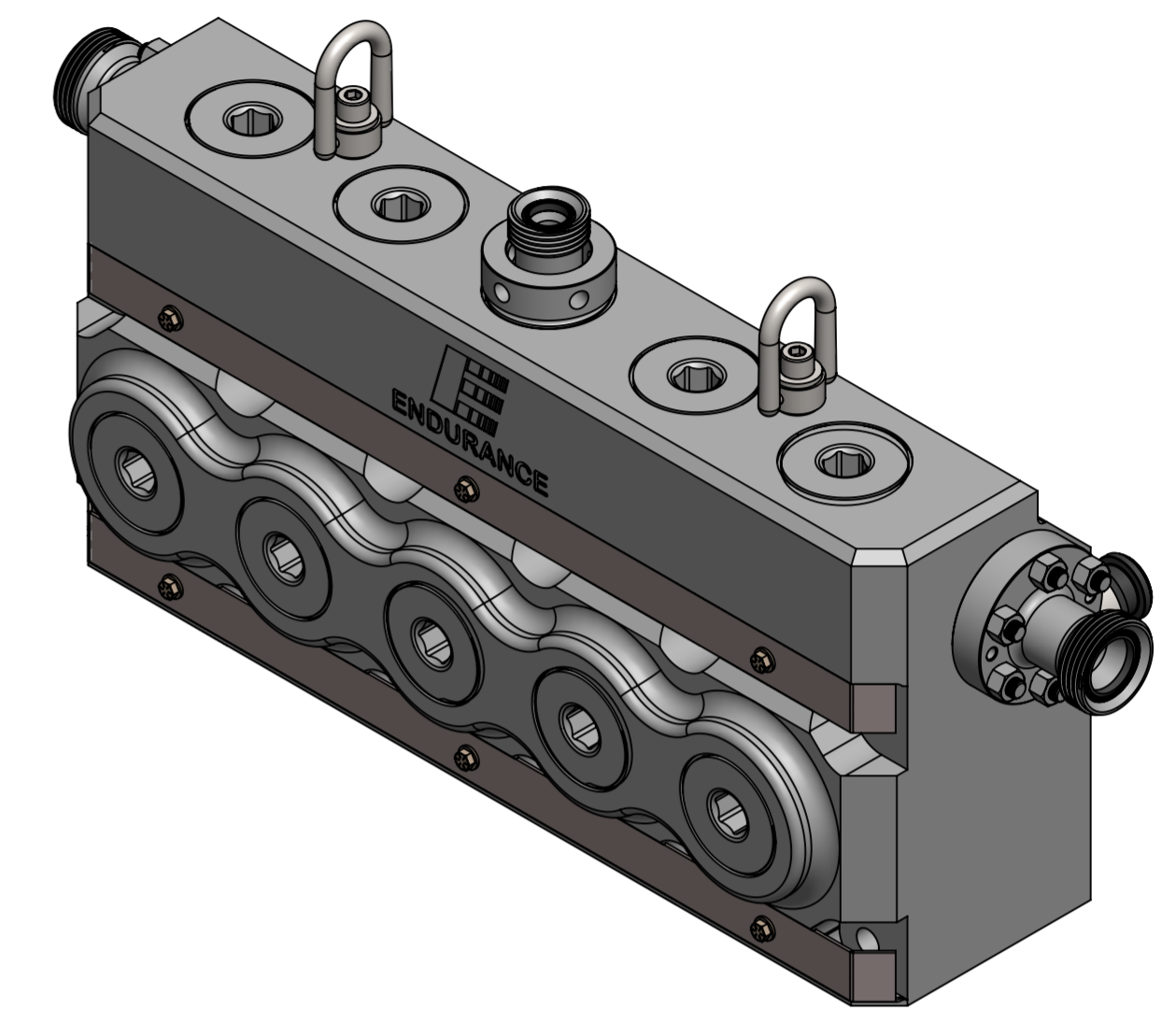
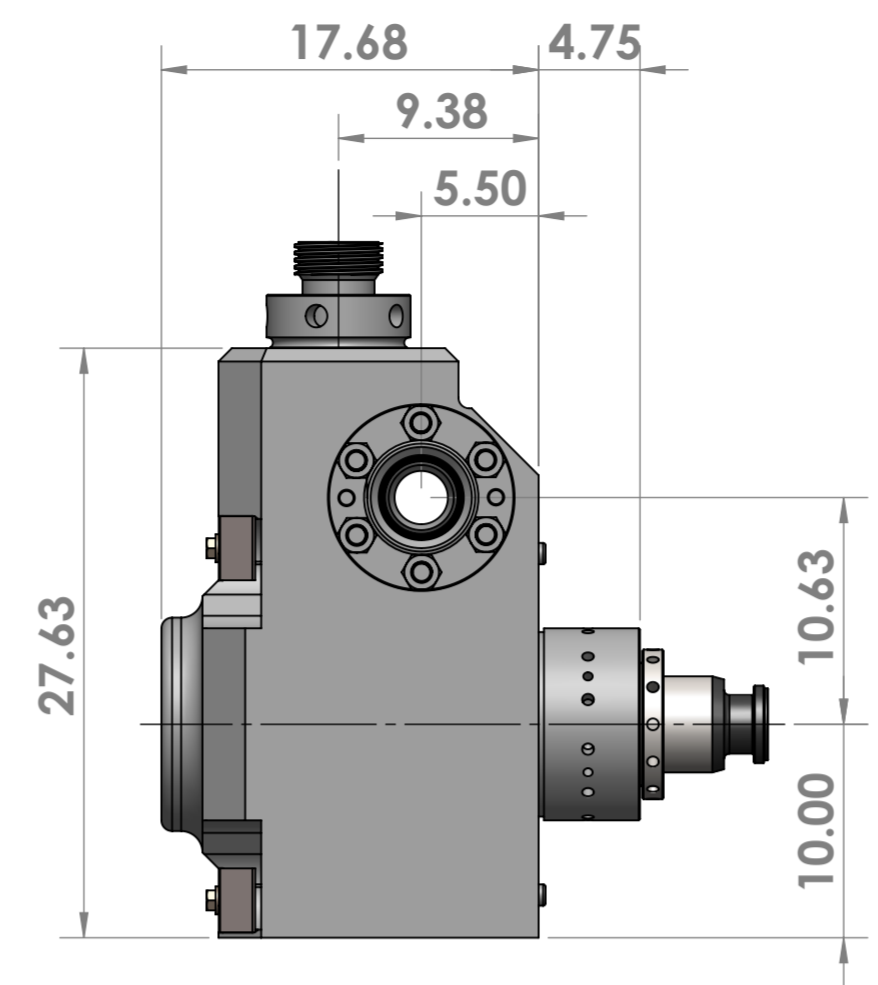
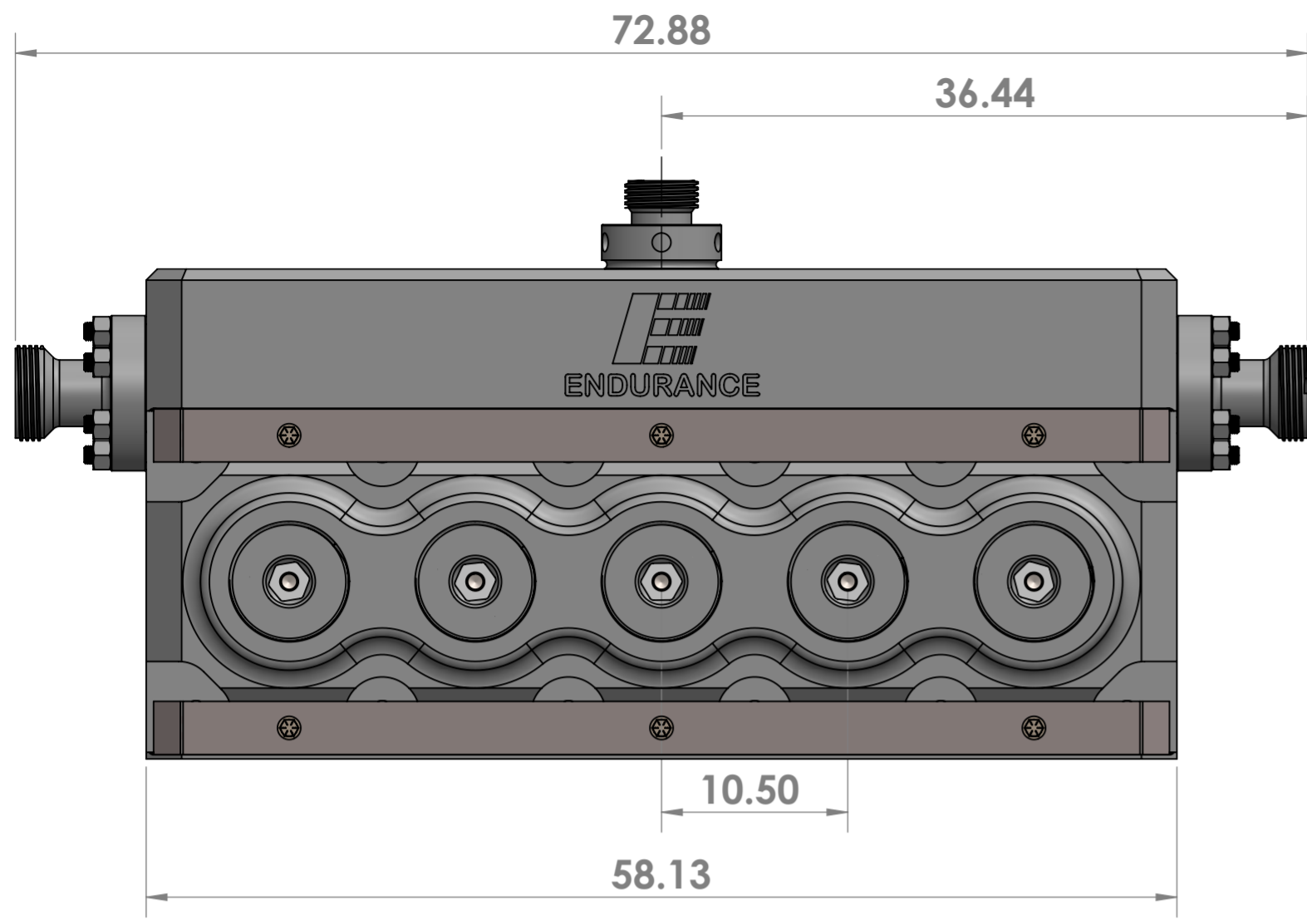


REVISIONS				
ZONE	REV.	DESCRIPTION	DATE	APPROVED
ALL	-	Initial Release	10/31/18	RDB



MOUNT FLANGE BOLT PATTERN

SUCTION MANIFOLD BOLT PATTERN

DISCHARGE FLANGE BOLT PATTERN

EMI QFLS 2700/3000	
PLUNGER SIZE AVAILABLE	4.0", 4.5"
STROKE	10"
HP	2700/3000
MOUNTED WEIGHT	6262 LBS.
MAX PSI	15700PSI

For more information:

Eastham Machining International
 2413 Roy Rd.
 Pearland, TX, 77581
 sales@easthammachining.com
 (281) 412-5332

CAD MAINTAINED, CHANGES SHALL BE INCORPORATED BY THE DESIGN ACTIVITY.			
UNLESS OTHERWISE SPECIFIED: DIMENSIONS ARE IN INCHES. DRAWING SHALL BE INTERPRETED PER ASME-Y14.5M-2009. SURFACE FINISH: 125 RMS FINISH.		TOLERANCES: FRACTIONAL: +/- 1/16 DECIMAL: .XX = +/- 0.02 .XXX = +/- 0.005 ANGULAR: +/- 1 degree	
DEBURR AND BREAK SHARP EDGES		DO NOT SCALE DRAWING	
REVISION		-	
EASTHAM MACHINING INTERNATIONAL		EASTHAM MACHINING INTERNATIONAL 2413 Roy Rd., Pearland, TX 77581	
TITLE: EMI QFLS GENERAL SPECIFICATIONS		DWG NO. EMI-QFLS-4.5_SPEC	
DRAWN: R De Bock		DATE: 10/31/18	
CHK'D:			
APPV'D:			
MFG:		FINISH:	
Q.A:		MATERIAL: 17-4SS	
WEIGHT: 6262 Lbs.		SCALE: 1:9	
SHEET 1 OF 1		A2	

