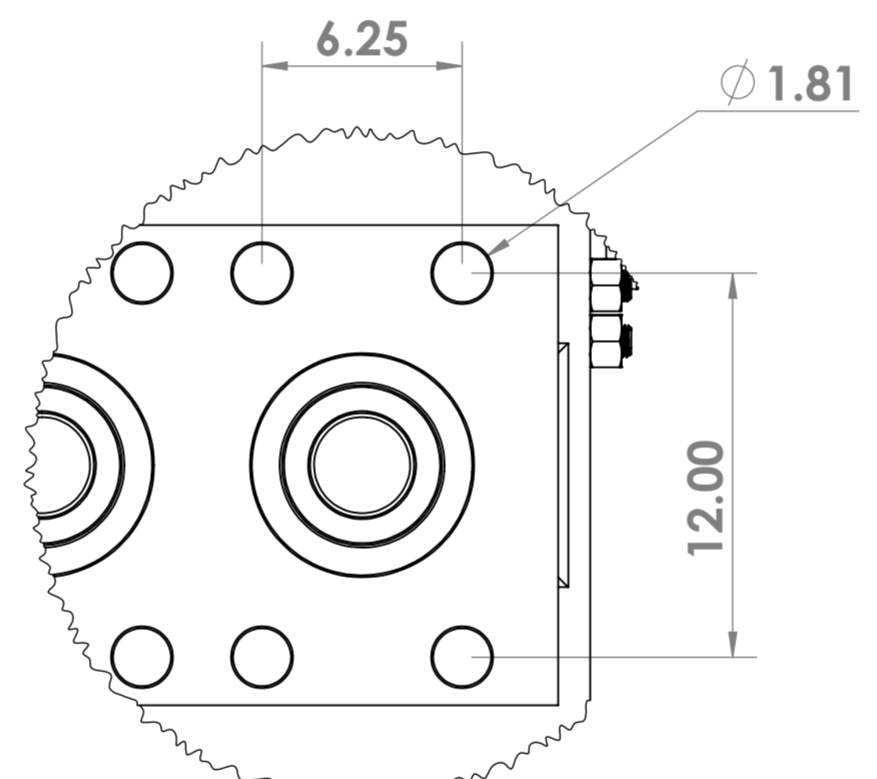
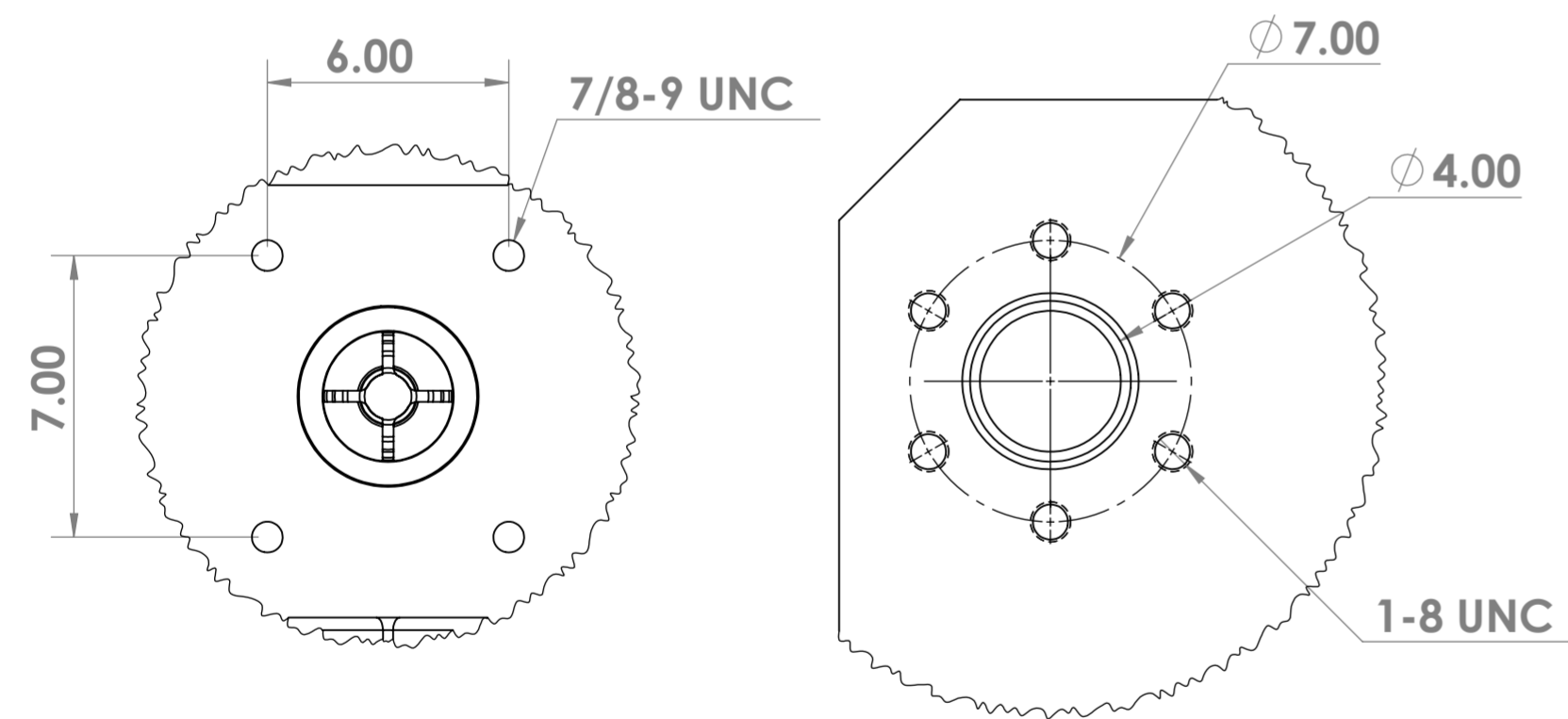
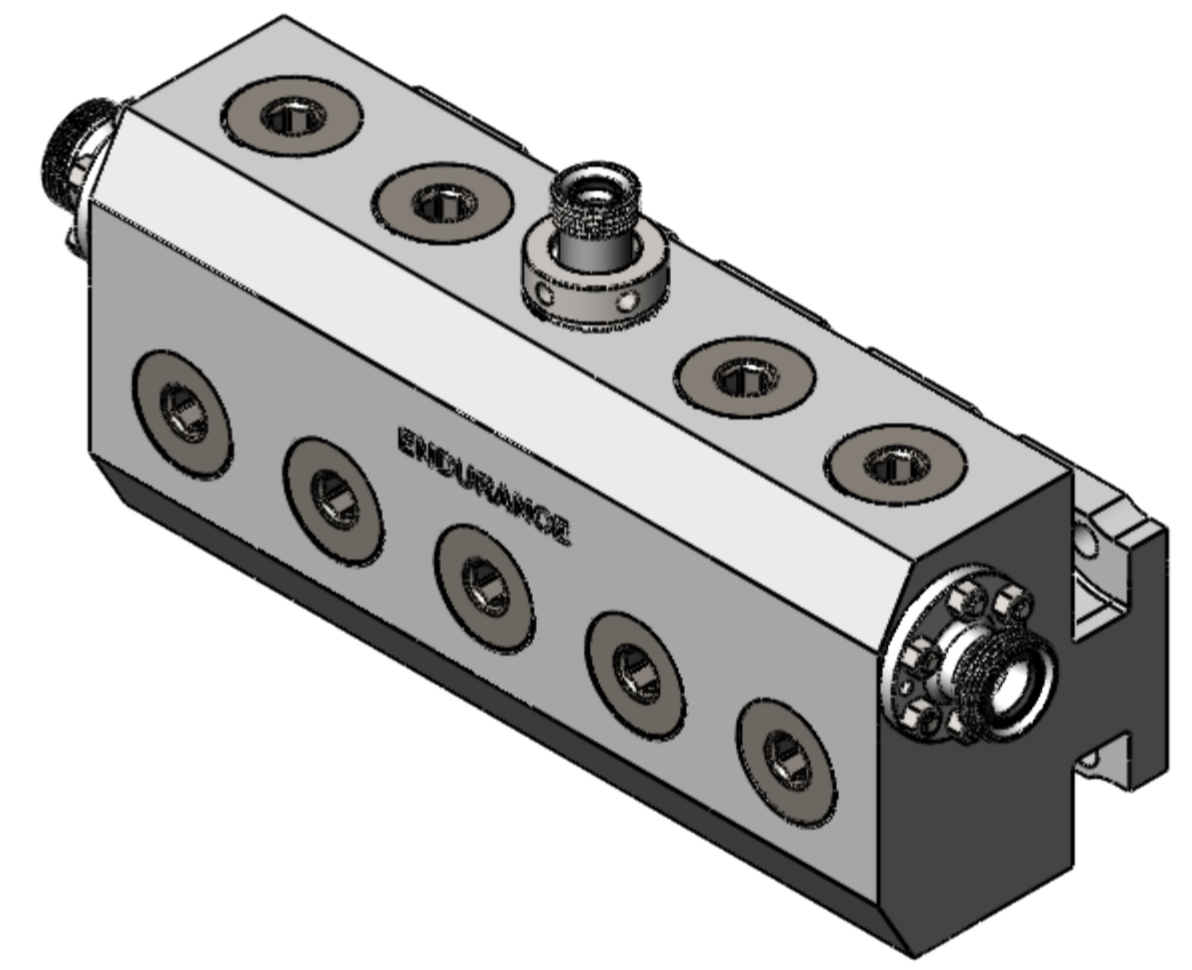
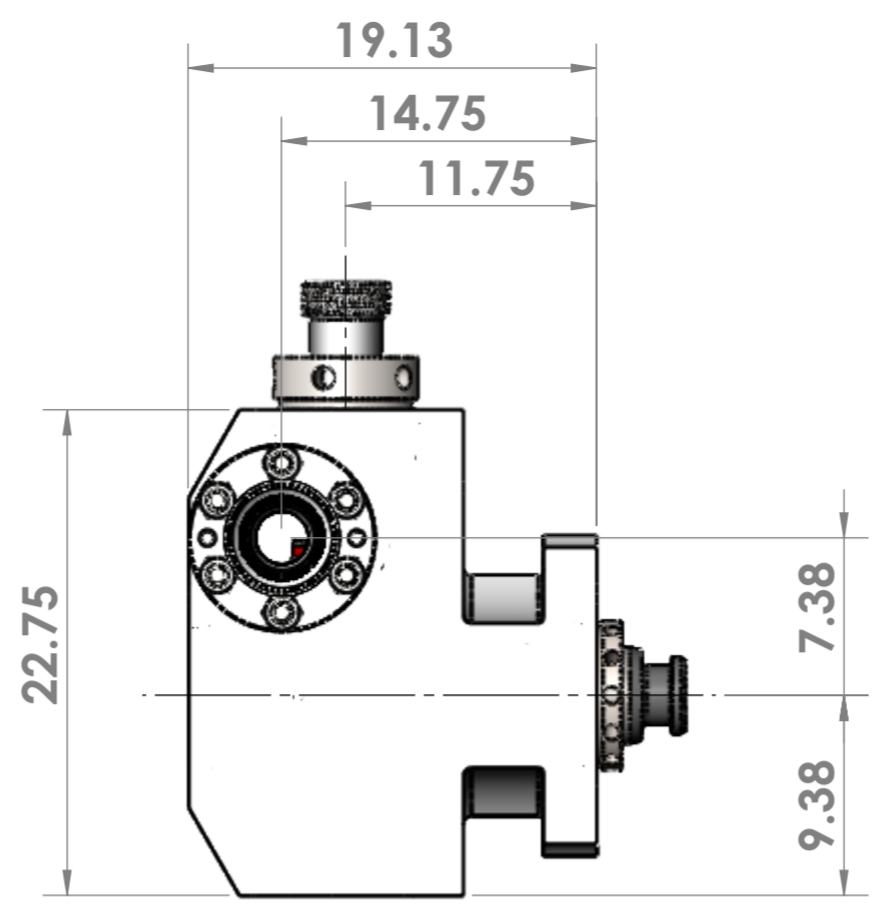
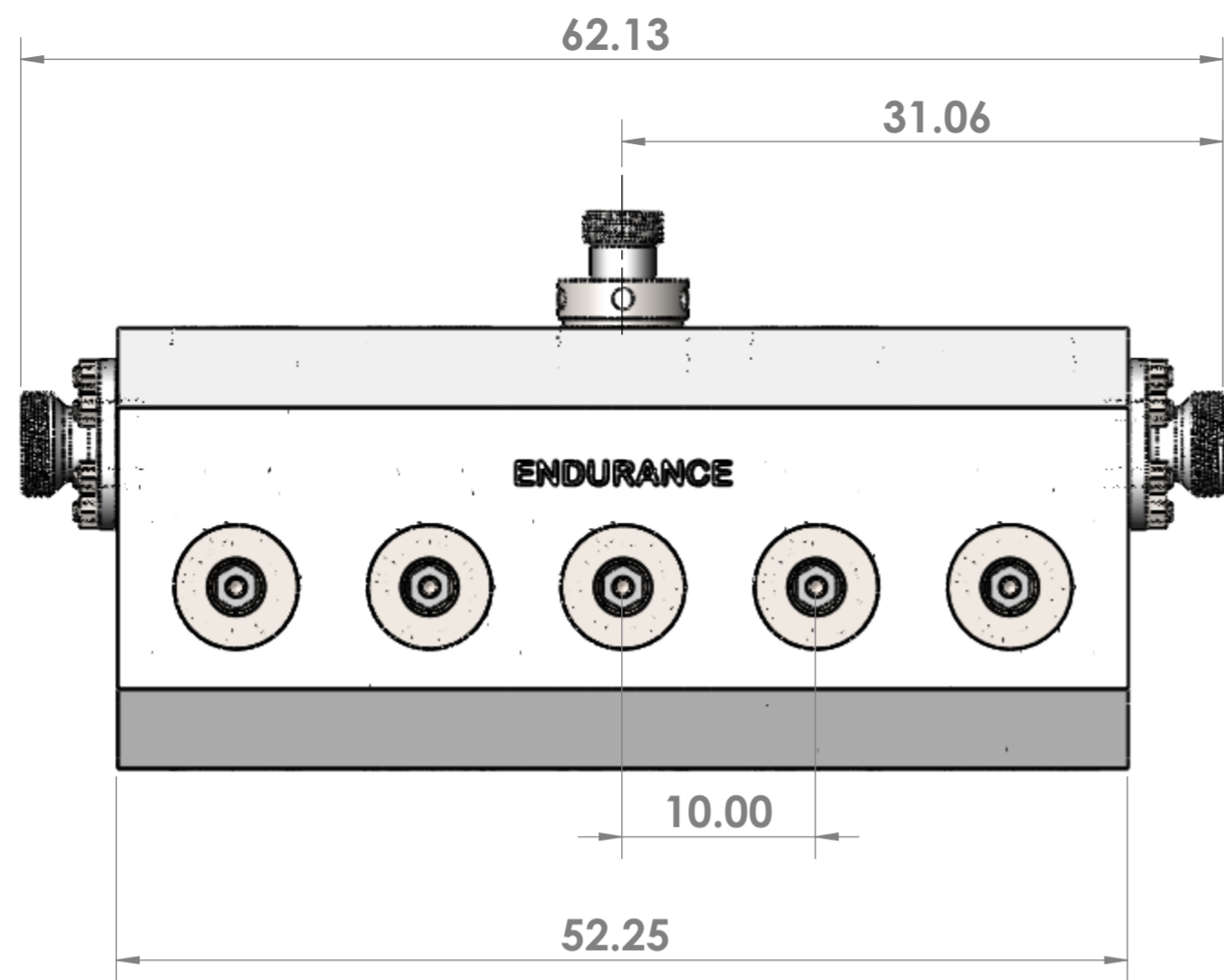


| REVISIONS |      |                 |          |          |
|-----------|------|-----------------|----------|----------|
| ZONE      | REV. | DESCRIPTION     | DATE     | APPROVED |
| ALL       | -    | Initial Release | 10/31/18 | RDB      |



**MOUNT FLANGE BOLT PATTERN**

**SUCTION MANIFOLD BOLT PATTERN**

**DISCHARGE FLANGE BOLT PATTERN**

| <b>EMI QWSX 2500</b>   |                              |
|------------------------|------------------------------|
| PLUNGER SIZE AVAILABLE | 4.0", 4.5"                   |
| STROKE                 | 8"                           |
| HP                     | 2500                         |
| MOUNTED WEIGHT         | 4504 LBS.                    |
| MAX PSI                | 4.0" 15500PSI/<br>4.5" 15000 |

For more information:

**Eastham Machining International**  
 2413 Roy Rd.  
 Pearland, TX, 77581  
 sales@easthammachining.com  
 (281) 412-5332

|   |  |            |  |   |  |                              |  |                      |  |                                       |  |
|---|--|------------|--|---|--|------------------------------|--|----------------------|--|---------------------------------------|--|
| UNLESS OTHERWISE SPECIFIED: DIMENSIONS ARE IN INCHES. DRAWING SHALL BE INTERPRETED PER ASME-Y14.5M-2009. SURFACE FINISH: 125 RMS FINISH.  |  |            |  | TOLERANCES: FRACTIONAL: +/- 1/16 DECIMAL: .X = +/- 0.05 .XX = +/- 0.02 .XXX = +/- 0.005 ANGULAR: +/- 1 degree |  | DEBURR AND BREAK SHARP EDGES |  | DO NOT SCALE DRAWING |  | REVISION: -                           |  |
| EASTHAM MACHINING INTERNATIONAL   |  |            |  | EASTHAM MACHINING INTERNATIONAL<br>2413 Roy Rd., Pearland, TX 77581   |  |                              |  |                      |  |                                       |  |
| NAME: R De Bock   |  | SIGNATURE: |  | DATE: 10/31/18  |  | FINISH:                      |  | MATERIAL: 17-4SS     |  | TITLE: EMI QWS GENERAL SPECIFICATIONS |  |
| DRAWN:  |  | CHK'D:     |  | APPV'D:   |  | MFG:                         |  | Q.A:                 |  | DWG NO. EMI-QWS-4.5_SPEC              |  |
| PROPRIETARY AND CONFIDENTIAL. THE INFORMATION CONTAINED IN THIS DRAWING IS THE SOLE PROPERTY OF EMI. ANY REPRODUCTION IN PART OR AS A WHOLE WITHOUT THE WRITTEN CONSENT OF EMI IS PROHIBITED. |  |            |  | WEIGHT: 4490 Lbs.   |  | SCALE: 1:9                   |  | SHEET 1 OF 1         |  | A2                                    |  |

