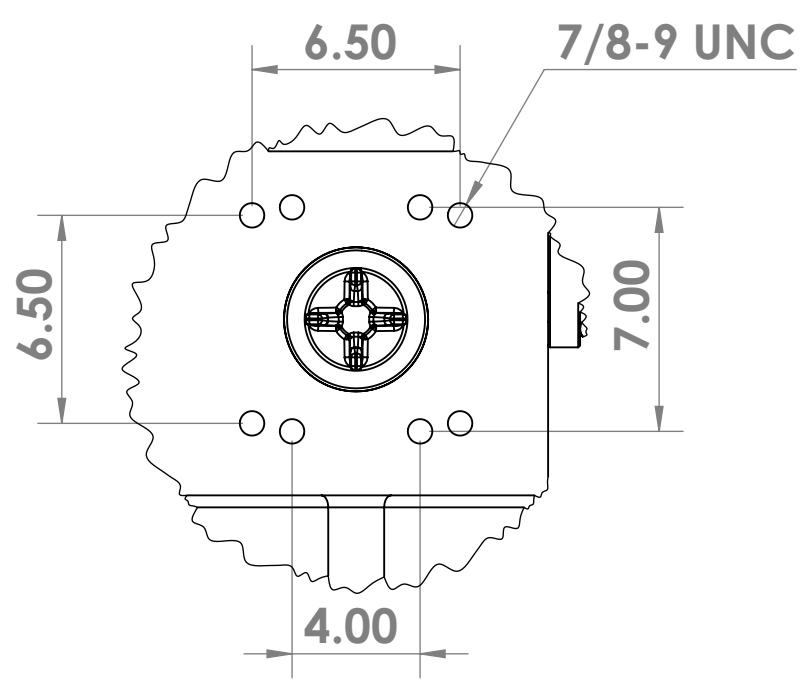
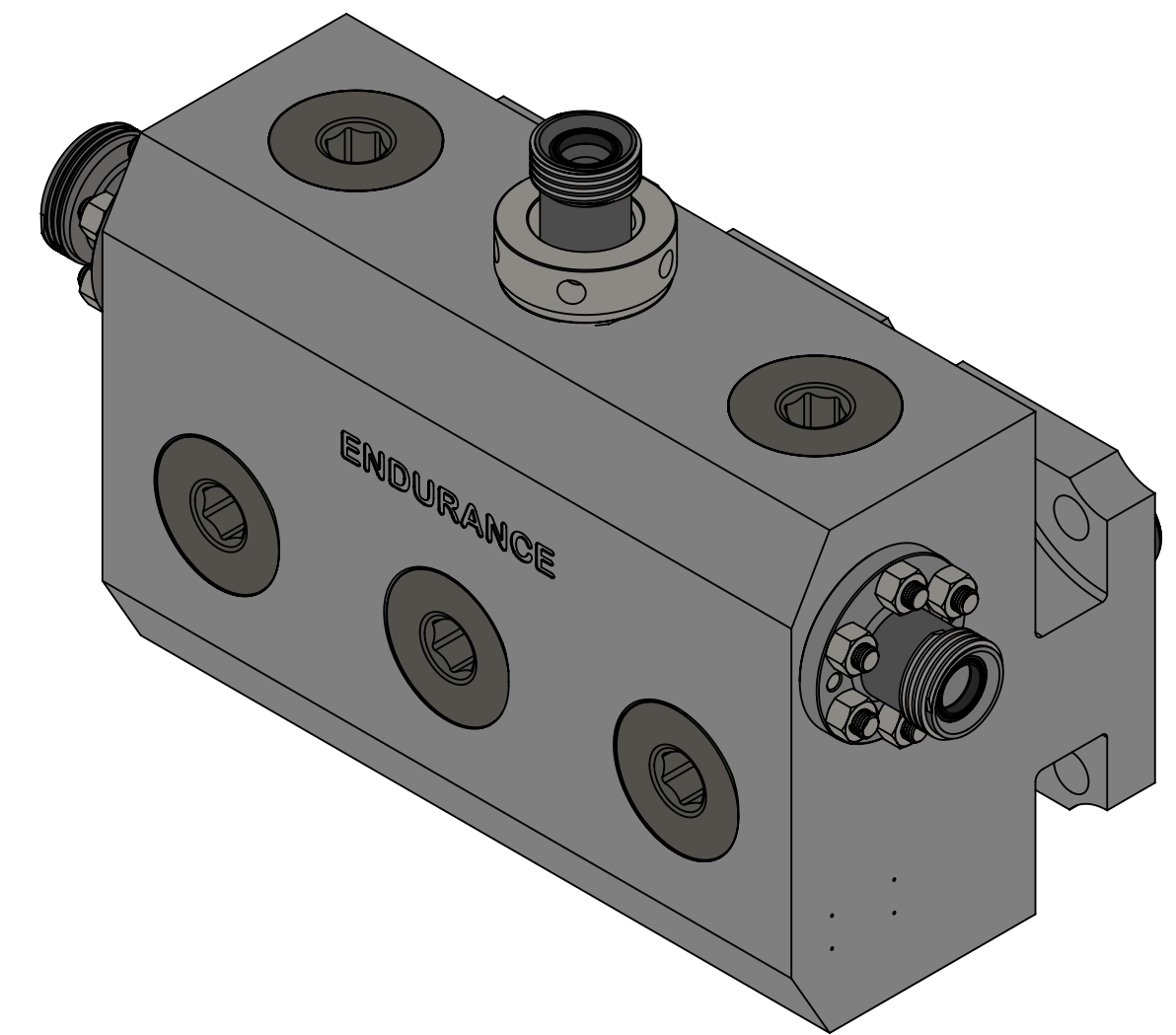
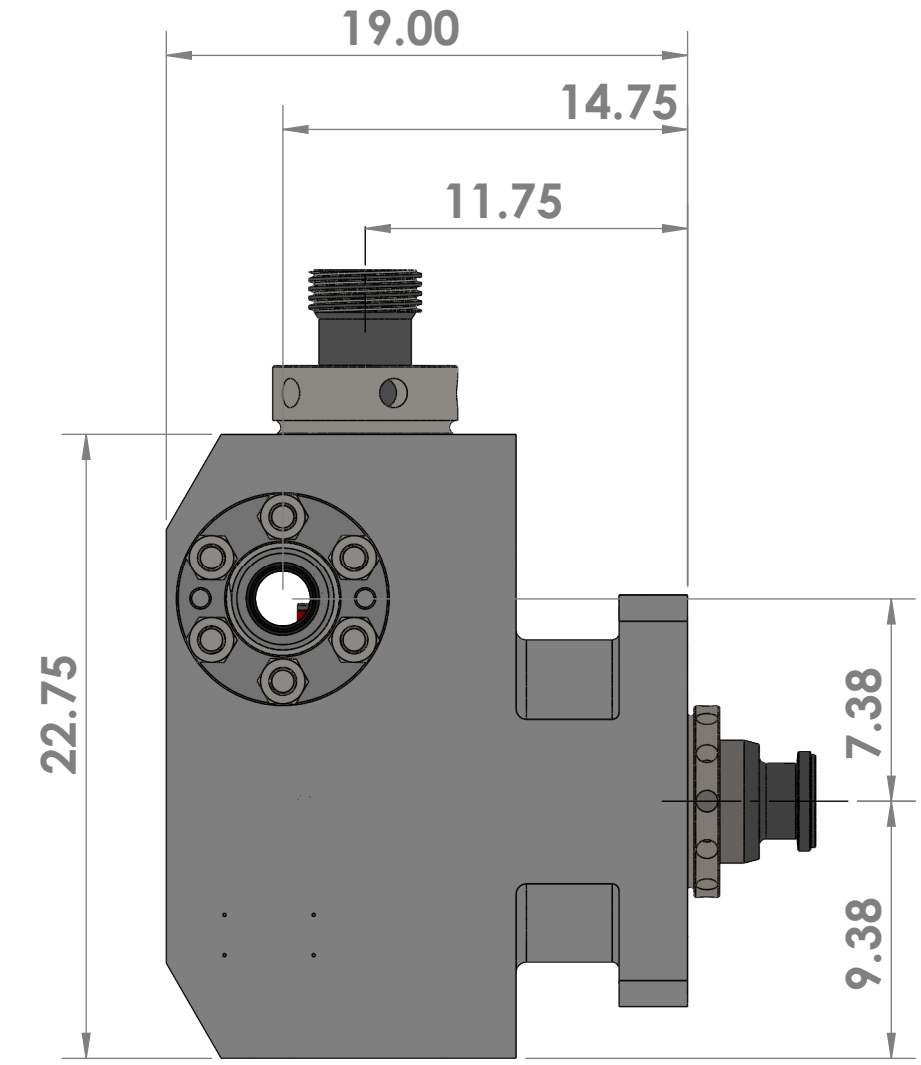
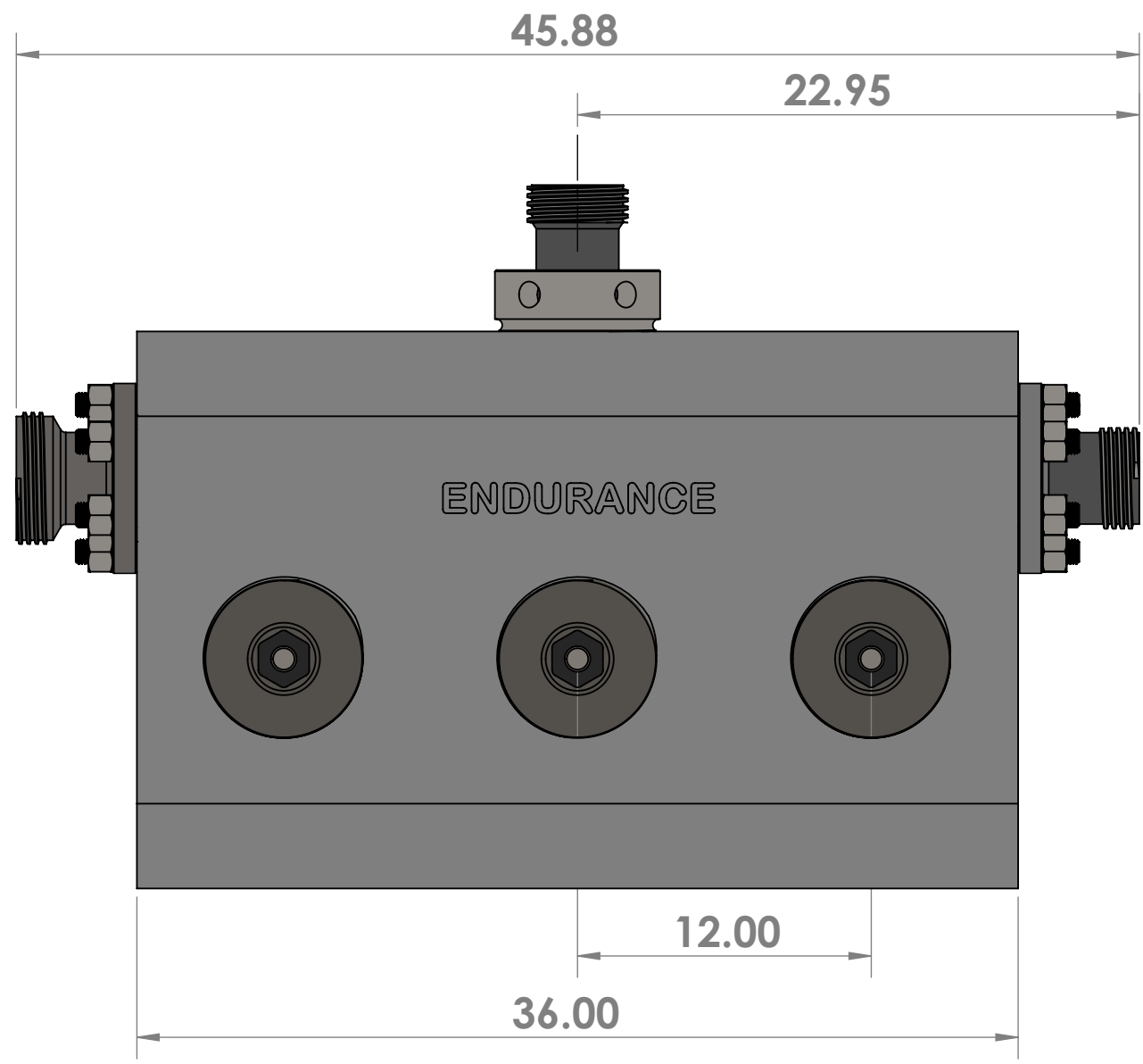
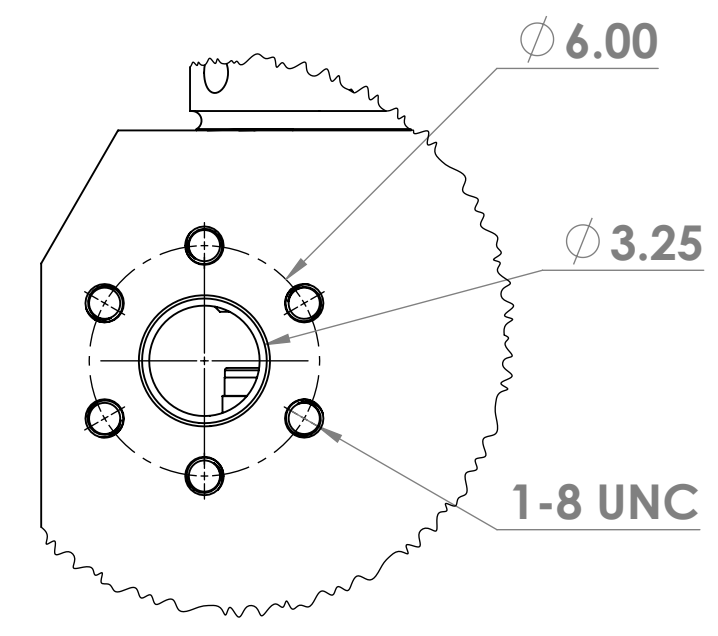


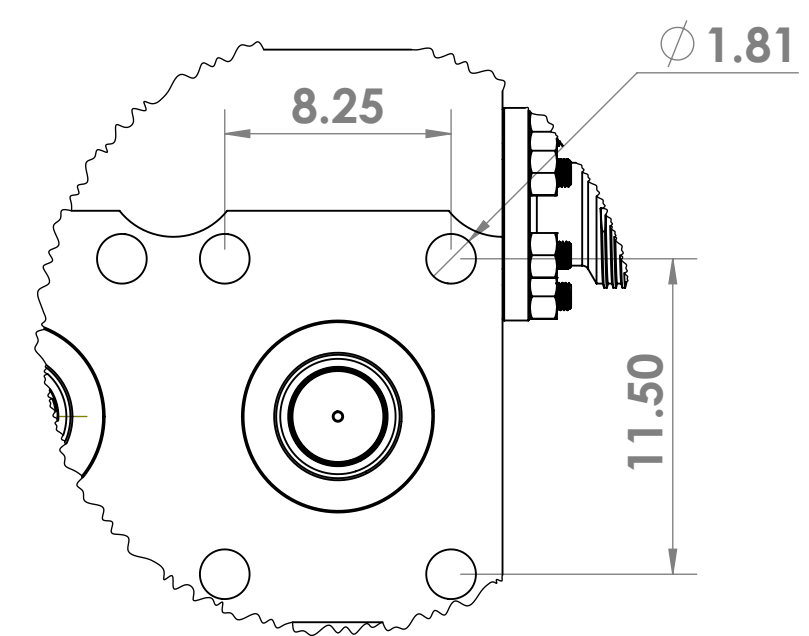
REVISIONS				
ZONE	REV.	DESCRIPTION	DATE	APPROVED
ALL	-	Initial Release	10/31/18	RDB



**SUCTION MANIFOLD
BOLT PATTERN**



**DISCHARGE FLANGE
BOLT PATTERN**



**MOUNT FLANGE BOLT
PATTERN**

EMI TWSX 2250	
PLUNGER SIZE AVAILABLE	4.5"
STROKE	8"
HP	2250
MOUNTED WEIGHT	3747 LBS.
MAX PSI	12500 PSI

For more information:

Eastham Machining International
2413 Roy Rd.
Pearland, TX, 77581
sales@easthammachining.com
(281) 412-5332



UNLESS OTHERWISE SPECIFIED: DIMENSIONS ARE IN INCHES DRAWING SHALL BE INTERPRETED PER ASME-Y14.5M-2009 SURFACE FINISH: 125 RMS FINISH				TOLERANCES: FRACTIONAL: +/- 1/16 DECIMAL: .X = +/- 0.05 .XX = +/- 0.02 .XXX = +/- 0.005 ANGULAR: +/- 1 degree		DEBURR AND BREAK SHARP EDGES		DO NOT SCALE DRAWING		REVISION -	
DRAWN R De Bock				DATE 10/31/18		SIGNATURE		MATERIAL: 17-4SS		WEIGHT: 4490 Lbs.	
MFG				FINISH:		Q.A.		EASTHAM MACHINING INTERNATIONAL 2413 Roy Rd., Pearland, TX 77581		TITLE: EMI TWS GENERAL SPECIFICATIONS	
DWG NO. EMI-TWS-4.5_SPEC				SCALE: 1:7		SHEET 1 OF 1		A2			